

GALYA CHROME SERIES

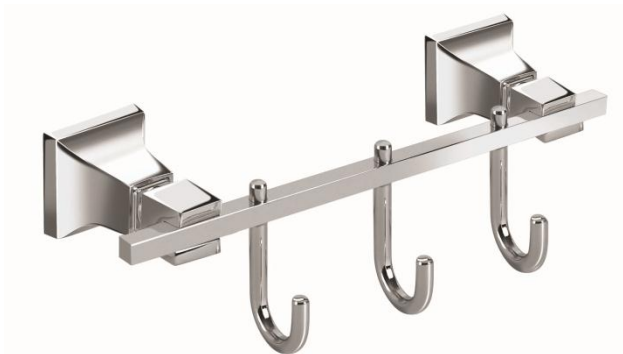
GL 42023 Triple Hook

Box Quantity:12

TECHNICAL CHARACTERISTICS

Triple Hook

- Chrome - plated zinc alloy body
- Metal injection wall connection
- Stainless Steel Grub Screw
- Chrome – Plated 8*8 mm Brass Flat Bar
- Ø6 mm Brass Hook



TECHNICAL DRAWING

