



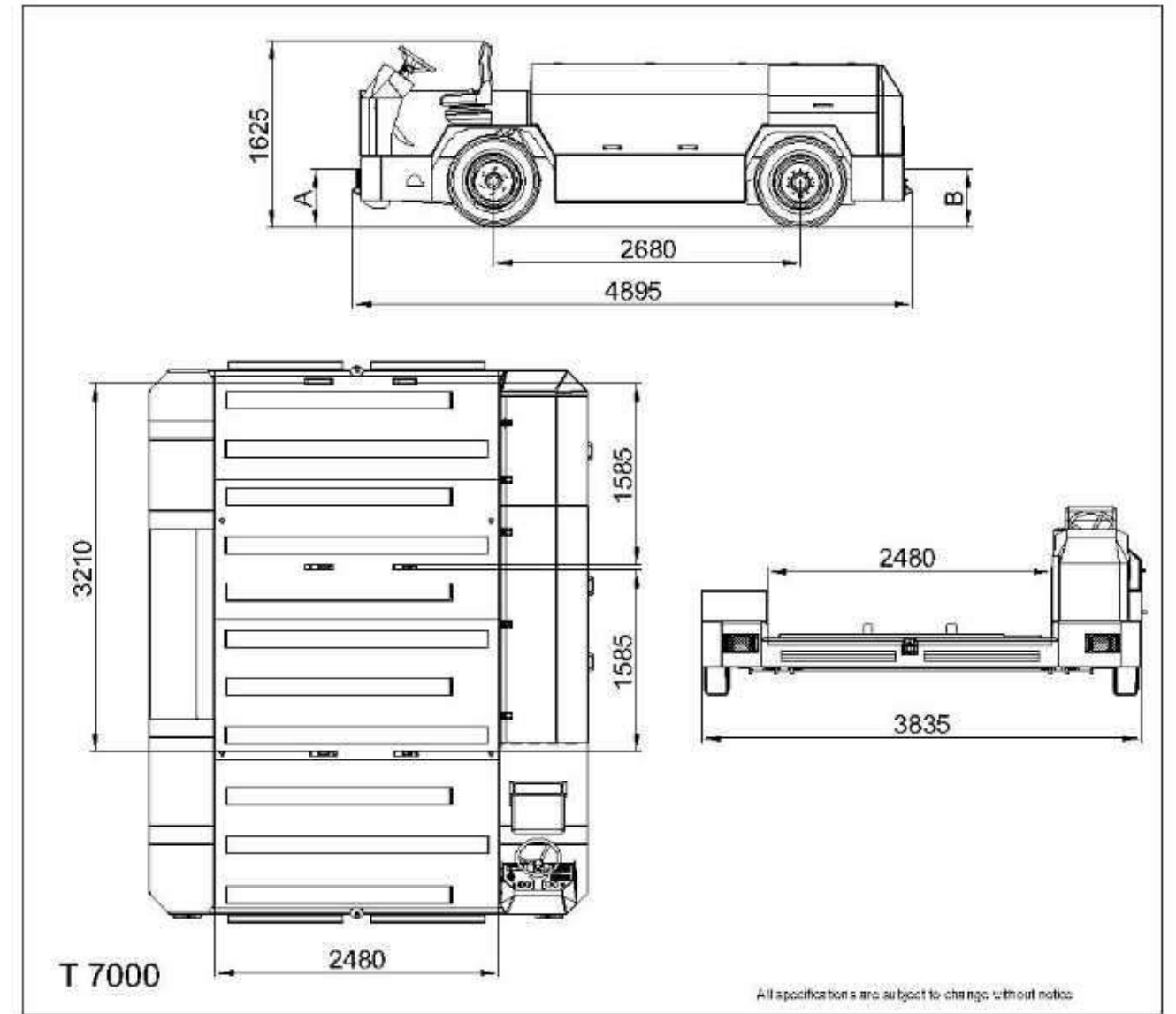
## T 7000 TRANSPORTER

CHASSIS	The chassis is designed by Timsan, produced by steel plates and powered by diesel engine. The chassis has tilt capability for ease transferring of ULD's.
CONVEYOR	The rollers are produced by galvanized pipes with bearings at both ends. The adequate numbers of rollers support the load and safe conveyance of load. The special retractable stops made of steel to be used to restrain ULD's firmly. These stops are retracted automatically while rollers are moving. The roller forward/reverse movements are provided by hydraulic motor. The height and angle adjustment of the chassis are provided by hydraulic cylinders.
TRACTION SYSTEM	The traction system is provided by hydro-static motor which is driven by a diesel engine. Hydraulic assisted double circuit braking system with is provided.
HYDRAULIC SYSTEM	The hydraulic system is provided by an oil tank, a pump driven by an engine, cylinders, hydraulic motor, hydraulic valves and some other useful accessories. Emergency hand pump is also used in case of engine failure.
SURFACES	The belt conveyor is custom painted.
ELECTRICAL SYSTEM	The electrical system is powered by a standard battery of 12 V DC. The electrical system is provided by automatic starter, standard lighting for chassis and the all accessories are controlled from a control panel.
OPTIONS	Electrical emergency pump, different brand of diesel engine, forklift pockets, custom painting, logo application.



Eyüpsultan Mahallesi Kartopu Sk. No: 7 34885 Sancaktepe / Istanbul / TURKEY  
 TEL : +90 216 527 42 70 (5 Lines) FAX : +90 216 364 33 63  
 e-mail: timsan@timsantr.com http://www.timsan-gse.com

**TIMSAN**



### Technical Data

Technical Data	T 7000
Overall Length (mm)	4895
Overall Width (mm)	3835
Overall Height (mm)	1625
Wheelbase (mm)	2680
Carrying Capacity (kg)	7000
ULD Types	P1-P2-P6 LD1/LD3 - LD2- LD4/LD8 - LD5/LD6/LD10/LD11 LD7/LD9/LD28/LD29
Loading Platform Length (mm)	3210
Loading Platform Width (mm)	2480
Loading Platform Height Front A (mm)	508 (460 - 610)
Loading Platform Height Rear A (mm)	508 (480 - 540)
Roller Speed (m/min.)	18
Dead Weight (kg) (approx.)	6500
Tyres (Pneumatic)	8.25 R15
Max. Speed (km/h)	25
Shipping Dimensions (l x w x h) (mm)	5000 x 3900 x 1700
Shipping Conditions	Flat Rack - Trailer

**TIMSAN**

Eyüpsultan Mahallesi Kartopu Sk. No: 7 34885 Sancaktepe / Istanbul / TURKEY  
 TEL : +90 216 527 42 70 (5 Lines) FAX : +90 216 364 33 63  
 e-mail: timsan@timsantr.com http://www.timsan-gse.com