

KL18500

MILITARY AIRCRAFT LOADER



Timsan KL18500 Military Aircraft Loader is capable to load and unload all types of pallets, ULD's, loose and Air-drop cargos and vehicles, to all cargo aircrafts and has the following listed advantages

Standard Features

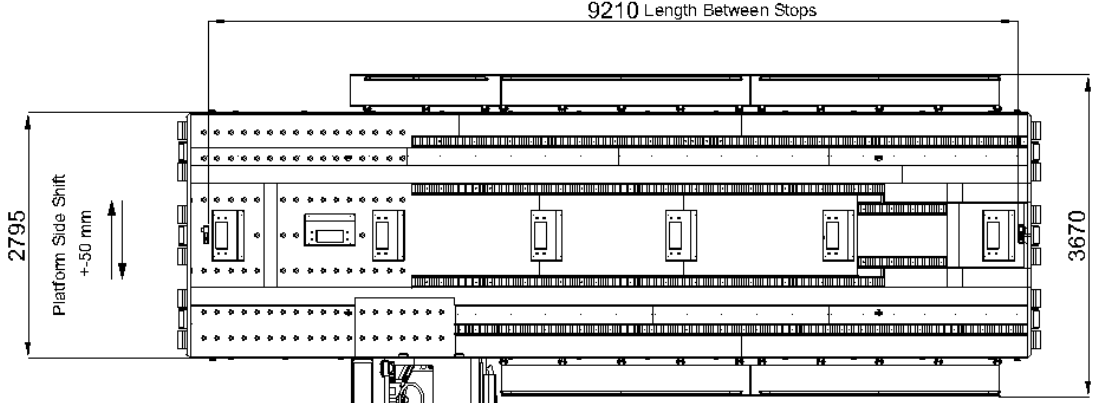
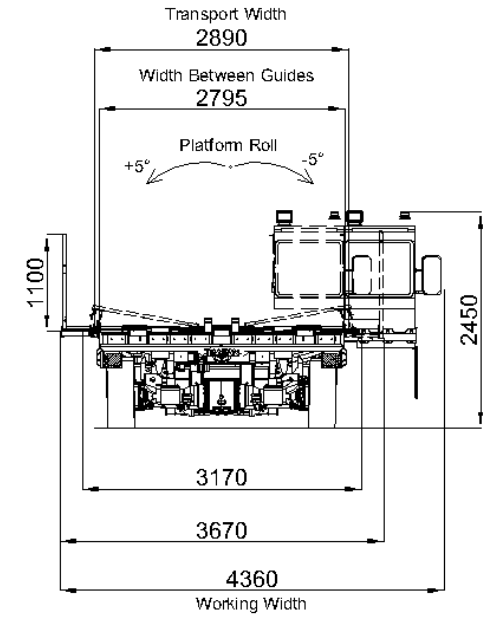
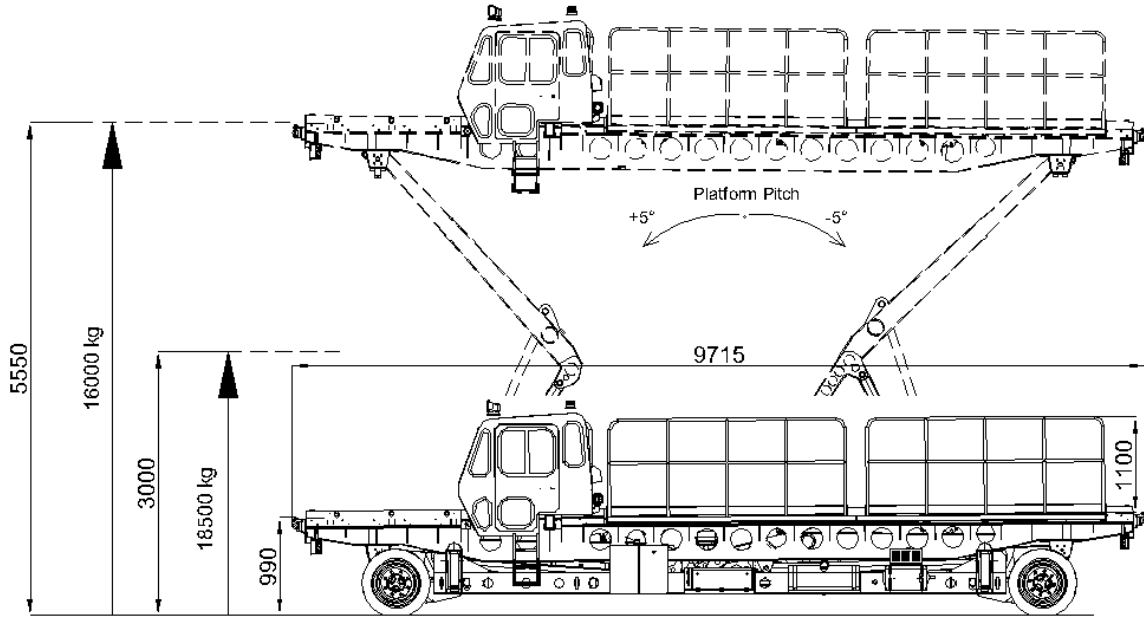
- Lifting and carrying capacity up to 18500 kg.
- Loading-unloading up to 4 x 463L pallets.
- High maneuverability with F2WS, R2WS, 4WS and Crab Steering modes.
- Variable ground clearance with movable front and rear axle chassis.
- PLC system with operator display.
- Emergency electric pump system.
- Ambient temperature range -25°C to +50°C.
- 4 Hydraulic stabilizer jacks.
- 4 Zones Longitudinally Power Roller System at full length of the platform.
- 1 Zone Transverse Power Roller System at the front of the platform for ease of loading and unloading.
- Platform Auto-Leveling.
- Front and Rear View Camera inside the driver's cab.
- Aluminum Detachable and Foldable Walkways on the both sides.

Optional Features

- Air-Conditioner for operator cabin
- Hydrostatic Drive system
- Cold Weather Package
- Hydraulic operated middle-locks
- Mechanical operated locks for extra safety.
- Tyre inflation system



Eyüpsultan Mahallesi Kartopu Sk. No: 7 34885 Sancaktepe / Istanbul / TURKEY
TEL : +90 216 527 42 70 (5 Lines) FAX : +90 216 364 33 63
e-mail: timsan@timsantr.com <http://www.timsan-gse.com>



All specifications are subject to change without notice



EYÜPSULTAN MAH. KARTOPU SK. NO:7
34885 SANCaktePE/İSTANBUL
TEL:+902165274270 FAX:+902163643363

KL18500
K-LOADER
4x463L - 18500 kg

TARİH/DRAWING DATE
30.05.2022

RESİM NO/DRAWING NO.

KL18500.00-T020



Eyüpsultan Mahallesi Kartopu Sk. No: 7 34885 Sancaktepe / Istanbul / TURKEY
TEL : +90 216 527 42 70 (5 Lines) FAX : +90 216 364 33 63
e-mail: timsan@timsantr.com http://www.timsan-gse.com

