



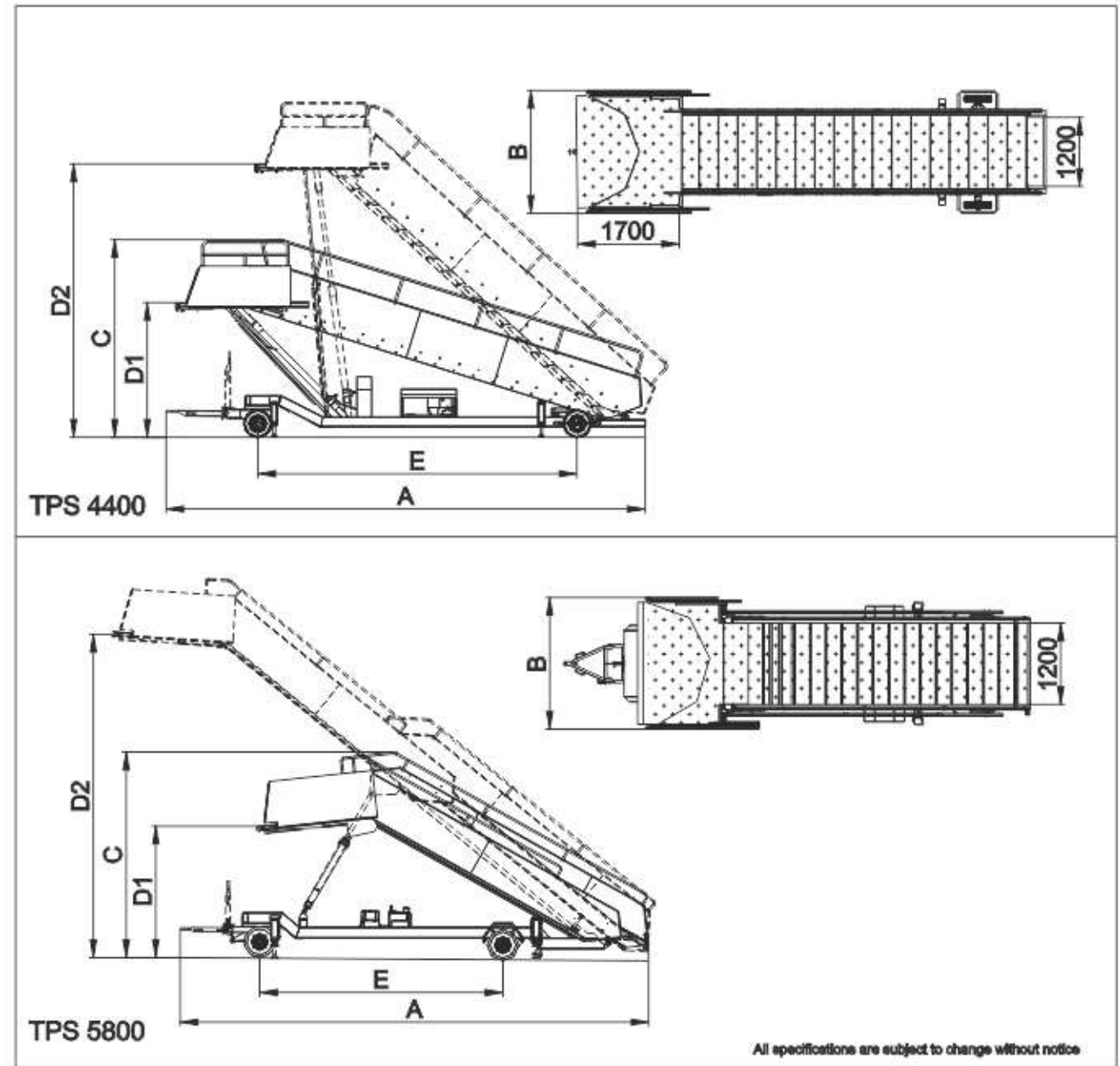
TPS 4500 / 5800 TOWABLE PASSENGER STAIR

CHASSIS	The chassis is produced by steel profiles and stable against wind forces up to 75 km/h. The tow-bar is provided by a fifth wheel system mounted to the chassis for easy steering and a brake system that is applied when tow-bar is upright and released position.
STAIRWAY	TPS 4500/5800 are provided by telescopic steps and TPS 3800 is provided by parallelogram steps. Sidewalls and steps are covered by aluminum and checkered aluminum respectively.
PLATFORM	The platform is produced by steel profiles and its floor is covered by checkered aluminum. Side panels are retractable. The platform and side panels provide bumpers in order to prevent giving any damage to fuselage.
HYDRAULIC SYSTEM	The hydraulic system is provided by an oil tank, a hydraulic pump driven by an engine, cylinders used for lifting/telescoping, lock valves, hydraulic valves and some other useful accessories. Emergency hand pump is also used in case of engine failure.
STABILIZERS	The stair is provided by 4 hydraulic stabilizers with lock valves.
SURFACES	The chassis, stairway and platform are custom painted.
ELECTRICAL SYSTEM	The electrical system is powered by a standard battery of 12 V DC min. 90 Ah. The electrical system is provided by two rear lamps, stair illumination lamps, adjustable headlamp and a beacon. The all accessories are controlled from a control panel.
OPTIONS	Canopy, electrical emergency pump, diesel engine, single wheel hydro-static propelling system powered by hydraulic motor, forklift pockets, custom painting, logo application, spare wheel.



Eyüpsultan Mahallesi Kartopu Sk. No: 7 34885 Sancaktepe / Istanbul / TURKEY
TEL : +90 216 527 42 70 (5 Lines) FAX : +90 216 364 33 63
e-mail: timsan@timsantr.com http://www.timsan-gse.com

TIMSAN



All specifications are subject to change without notice

Technical Data	TPS 3800	TPS 4400	TPS 4500	TPS 5800
Overall Length (A) (mm)	6780	7925	6500	8675
Overall Width (B) (mm)	2000	2000	2170	2200
Overall Height (C) (mm)	3200	3300	3375	3650
Servicing Height(D1-D2)(mm)	2100-3800	2200-4400	2200-4500	2200-5800
Wheelbase (E) (mm)	4600	5200	3750	4250
Step Width (mm)	1200	1200	1200 / 1500	1200 / 1500
Step Tread (mm)	230-290	229-296	274	275
Step Height (mm)	100-205	91-210	193	193
Number of Steps	16	18	18	26+1
Platform Dim. (l x w) (mm)	1700 x 1820	1700 x 1820	1800 x 2000	1800 x 2000
Loading Capacity (kg)	31 People-2480	46 People-3680	46 People-3680	68 People-5440
Max. Speed (km/h)	15	15	15	15
Dead Weight (kg) (approx.)	1850	2185	2185	4235
Shipping Dim. (l x w x h) (mm)	6880x2100x3300	8025x2100x3400	6600x2270x3475	8775x2300x3750
Shipping Conditions	1 ea x 40' open top			

TIMSAN

Eyüpsultan Mahallesi Kartopu Sk. No: 7 34885 Sancaktepe / Istanbul / TURKEY
TEL : +90 216 527 42 70 (5 Lines) FAX : +90 216 364 33 63
e-mail: timsan@timsantr.com http://www.timsan-gse.com