



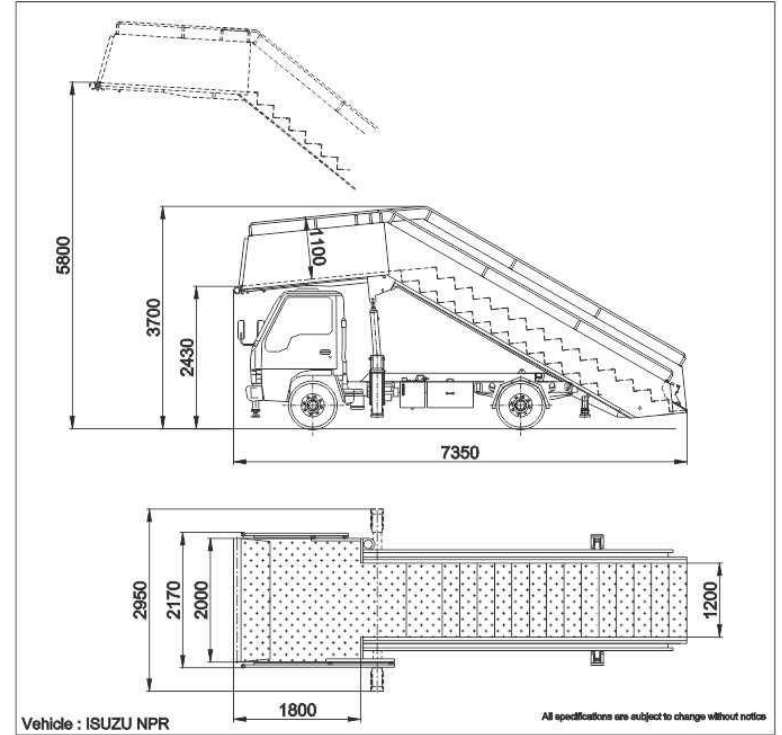
MPS 5800

CHASSIS	The chassis is produced by steel profiles mounted on a commercial truck according to the customer's demand. The all stairs are stable against wind forces up to 75 km/h.
STAIRWAY	Stairways are provided by telescopic steps. Sidewalls and steps are covered by aluminum and checkered aluminum respectively.
PLATFORM	The platform is produced by steel profiles and its floor is covered by checkered aluminum. Side panels are retractable. The platform and side panels provide bumpers in order to prevent giving any damage to fuselage.
HYDRAULIC SYSTEM	The hydraulic system is provided by an oil tank, a hydraulic pump driven by engine, cylinders used for lifting/telescoping, lock valves, hydraulic valves and some other useful accessories. Emergency hand pump is also used in case of engine failure.
STABILIZERS	The stair is provided by 4 hydraulic stabilizers with lock valves.
SURFACES	The chassis, stairway and platform are custom painted.
ELECTRICAL SYSTEM	The electrical system is powered by a standard battery of the truck. The electrical system is provided by two rear lamps, stair illumination lamps, adjustable headlamp, standard lighting for chassis and a beacon. The all operations are controlled from a control panel.
OPTIONS	1500 mm stair width, canopy, electrical emergency pump, custom painting, logo application, spare wheel.



Eyüpsultan Mahallesi Kartopu Sk. No: 7 34885 Sancaktepe / İstanbul / TURKEY
 TEL : +90 216 527 42 70 (5 Lines) FAX : +90 216 364 33 63
 e-mail: timsan@timsantr.com http://www.timsan-gse.com

TIMSAN



Vehicle : ISUZU NPR

Technical Data

MPS 5800

Overall Length (mm)	7350
Overall Width (mm)	2170
Overall Height (mm)	3700
Min. / Max. Service Height (mm)	2450-5800
Step Width / Optional (mm)	1200 / 1500
Step Tread (mm)	270
Step Height (mm)	193
Number of Steps	26+1
Platform Dimensions (l x w) (mm)	1800 x 2000
Loading Capacity (kg)	70 People - 5250
Max. Speed (km/h)	40
Dead Weight (kg) (approx.)	6300
Shipping Dimensions (l x w x h) (mm)	11500 x 2270 x 2570
Shipping Conditions	1 ea x 40' hc

TIMSAN

Eyüpsultan Mahallesi Kartopu Sk. No: 7 34885 Sancaktepe / İstanbul / TURKEY
 TEL : +90 216 527 42 70 (5 Lines) FAX : +90 216 364 33 63
 e-mail: timsan@timsantr.com http://www.timsan-gse.com