



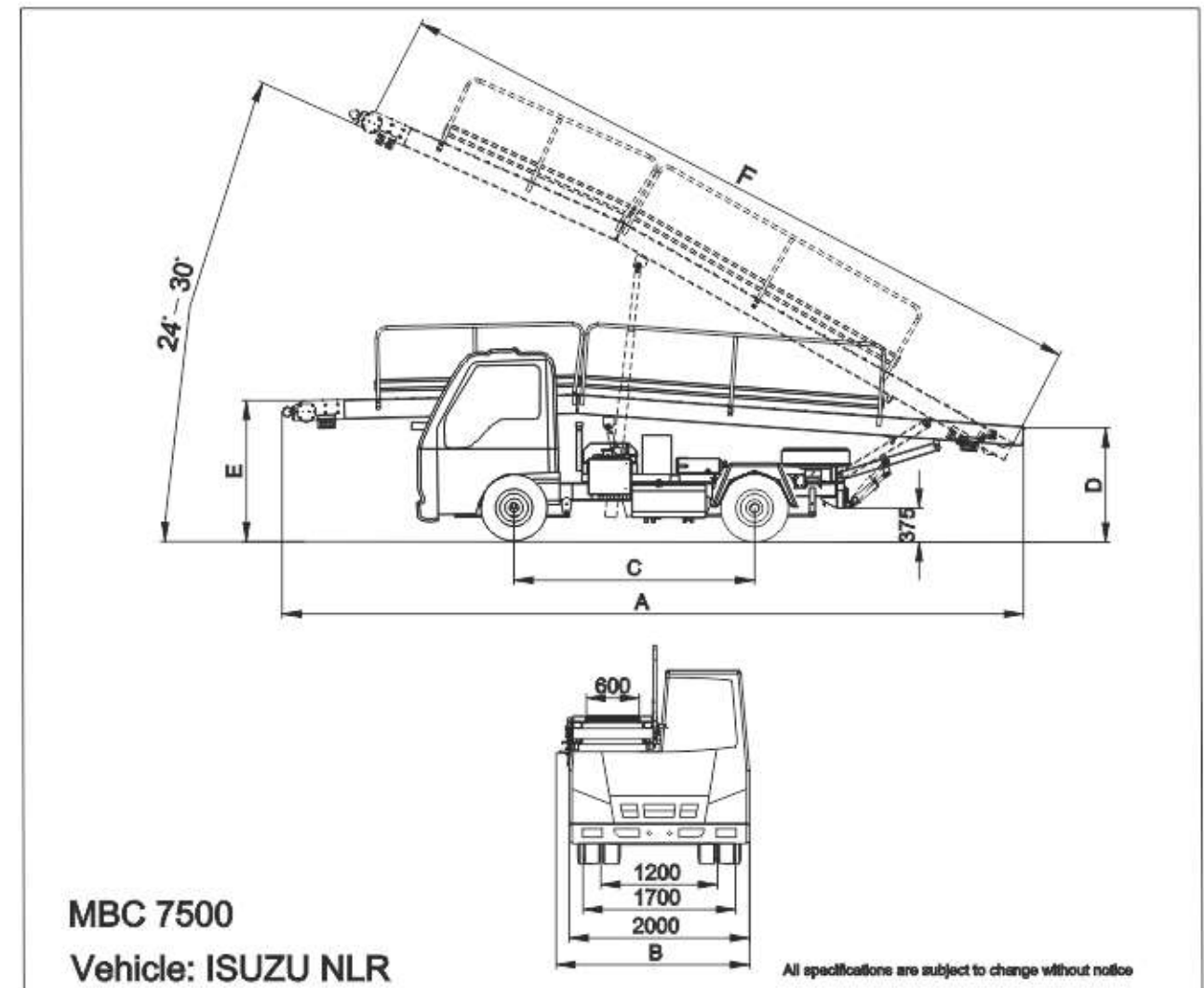
MBC 7500 / 9000

CHASSIS	The chassis is produced by steel profiles and mounted on a commercial truck.
CONVEYOR	The conveyor boom provides adequate number of rollers to support the belt and safe conveyance of load. The belt forward/reverse movements are provided by hydraulic motor and the height and angle adjustment are provided by hydraulic cylinders. One of the side handrails is foldable and the other one is fixed.
HYDRAULIC SYSTEM	The hydraulic system is provided by an oil tank, a pump driven by an engine, cylinders, hydraulic motor, hydraulic valves and some other useful accessories. Emergency hand pump is also used in case of engine failure.
SURFACES	The belt conveyor is custom painted.
ELECTRICAL SYSTEM	The electrical system is powered by a standard battery of 12 V DC. The electrical system is provided by work lamp, automatic starter, standard lighting for chassis and the all accessories are controlled from a control panel.
OPTIONS	9000 mm belt length, electrical emergency pump, custom painting, logo application.



Eyüpsultan Mahallesi Kartopu Sk. No: 7 34885 Sancaktepe / Istanbul / TURKEY
 TEL : +90 216 527 42 70 (5 Lines) FAX : +90 216 364 33 63
 e-mail: timsan@timsantr.com http://www.timsan-gse.com

TIMSAN



Technical Data

	MBC 7500	MBC 9000	
Overall Length (A) (mm)	7650	9150	
Overall Width (B) (mm)	2200	2200	
Overall Height (mm)	2200	2240	
Wheelbase (C) (mm)	2490	2490	
Servicing Height, Rear at 24° (mm)	1105	780	
Servicing Height, Front at 24° (mm)	4425	4850	
Servicing Height, Rear at 30° (mm)	465	260	
Servicing Height, Front at 30° (mm)	4725	5250	
Servicing Height, Rear at Driving Pos. (D) (mm)	840	760	
Servicing Height, Front at Driving Pos. (E) (mm)	1525	1580	
Belt Length (F) (mm)	7500	9000	
Belt Width (mm)	600	600	
Belt Speed (m/min.)	10 - 30	10 - 30	
Single Load Capacity (kg)	400	400	
Continuous Load Capacity (kg)	1000	1000	
Dead Weight (kg) (approx.)	3150	3300	
Tyres (Pneumatic)	Front Rear	6.50' R16 185 R14	6.50' R16 185 R14
Max. Speed (km/h)	40	40	
Shipping Dimensions (l x w x h) (mm)	7750x2300x2300	9250x2300x2340	
Shipping Conditions	2 ea x 40' box	2 ea x 40' box	

TIMSAN

Eyüpsultan Mahallesi Kartopu Sk. No: 7 34885 Sancaktepe / Istanbul / TURKEY
 TEL : +90 216 527 42 70 (5 Lines) FAX : +90 216 364 33 63
 e-mail: timsan@timsantr.com http://www.timsan-gse.com