



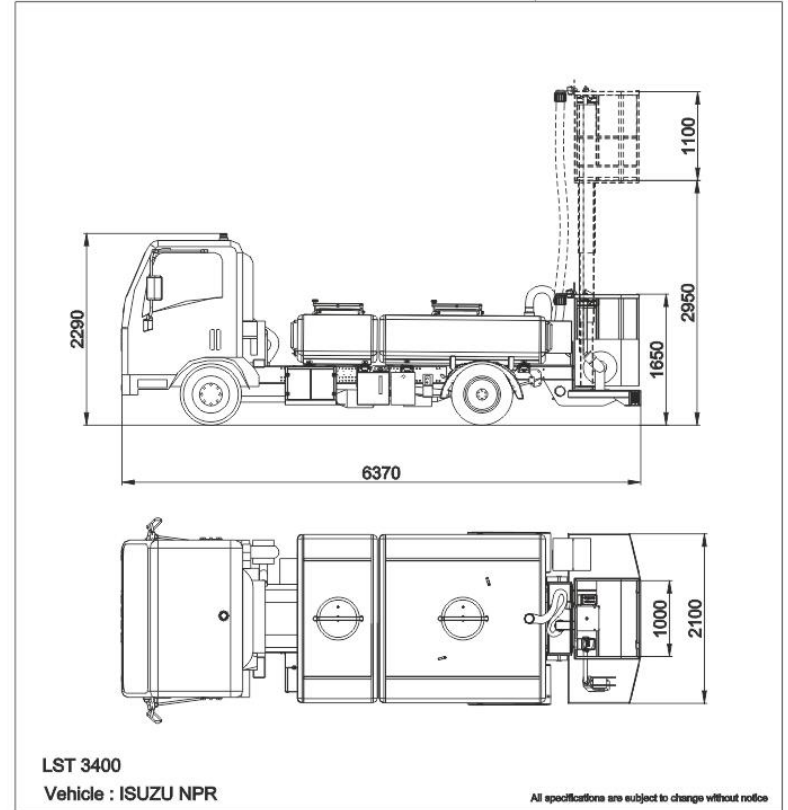
## WST 2100 / 3400 & LST 2100 / 3400 WATER & LAVATORY SERVICE TRUCK

CHASSIS	The chassis is produced by steel profiles and mounted on a commercial truck.
TANK	The tanks are made of stainless steel and provided by manholes, filler caps and discharge valves. The top of the tanks are covered with anti slip material or steel grid for safe walking.
CLEAN WATER PUMP	The clean water pump is driven by hydro-motor, which is powered by the diesel engine, to be used to pump the clean water to aircraft's tank.
WASTE WATER COUPLING	The waste water coupling is made of stainless steel and is of quick coupling type. It is equipped with 4" flexible hose.
CLEAN WATER COUPLING	The waste water coupling is made of stainless steel and is of quick coupling type. It is equipped with 1" flexible hose.
HYDRAULIC SYSTEM	The hydraulic system is provided by an oil tank, a pump driven by an engine, hydro-motor, hydraulic valves and some other useful accessories. Emergency hand pump is also used in case of engine failure.
ELECTRICAL SYSTEM	The electrical system is powered by a standard battery of truck. The electrical system is provided by work lamp and the all accessories are controlled from a control panel.
ELEVATING PLATFORM	A hydraulic powered work platform is provided to be used for operator to reach desired elevating height to serve aircraft.
SURFACES	The all parts are custom painted.
OPTIONS	Electrical emergency pump, articulated ladder, heating, insulation, vacuum pump, logo application.



Eyüpsultan Mahallesi Kartopu Sk. No: 7 34885 Sancaktepe / İstanbul / TURKEY  
TEL: +90 216 527 42 70 (5 Lines) FAX: +90 216 364 33 63  
e-mail: timsan@timsantr.com http://www.timsan-gse.com

**TIMSAN**



Technical Data	WST 2100	LST 2100	WST 3400	LST 3400
Overall Length (mm)	6370	6370	6370	6370
Overall Width (mm)	2100	2100	2100	2100
Overall Height (mm)	2290	2290	2290	2290
Water Capacity (lt)	2240	720	3400	1100
Lavatory Capacity (lt)	—	1450	—	2340
Platform Width (mm)	1000	1000	1000	1000
Platform Length (mm)	800	800	800	800
Working Height (mm)	2950	2950	2950	2950
Water Pump Capacity (bar, lt/min)	3,5 bar - 90	3,5 bar - 90	3,5 bar - 90	3,5 bar - 90
Dead Weight (approx.) (kg)	3420	3540	3560	3680
Shipping Dimensions (mm)	6470 x 2200 x 2390			
Shipping Conditions	1 ea x 20' or 2 ea x 40' box			

**TIMSAN**

Eyüpsultan Mahallesi Kartopu Sk. No: 7 34885 Sancaktepe / İstanbul / TURKEY  
TEL: +90 216 527 42 70 (5 Lines) FAX: +90 216 364 33 63  
e-mail: timsan@timsantr.com http://www.timsan-gse.com