



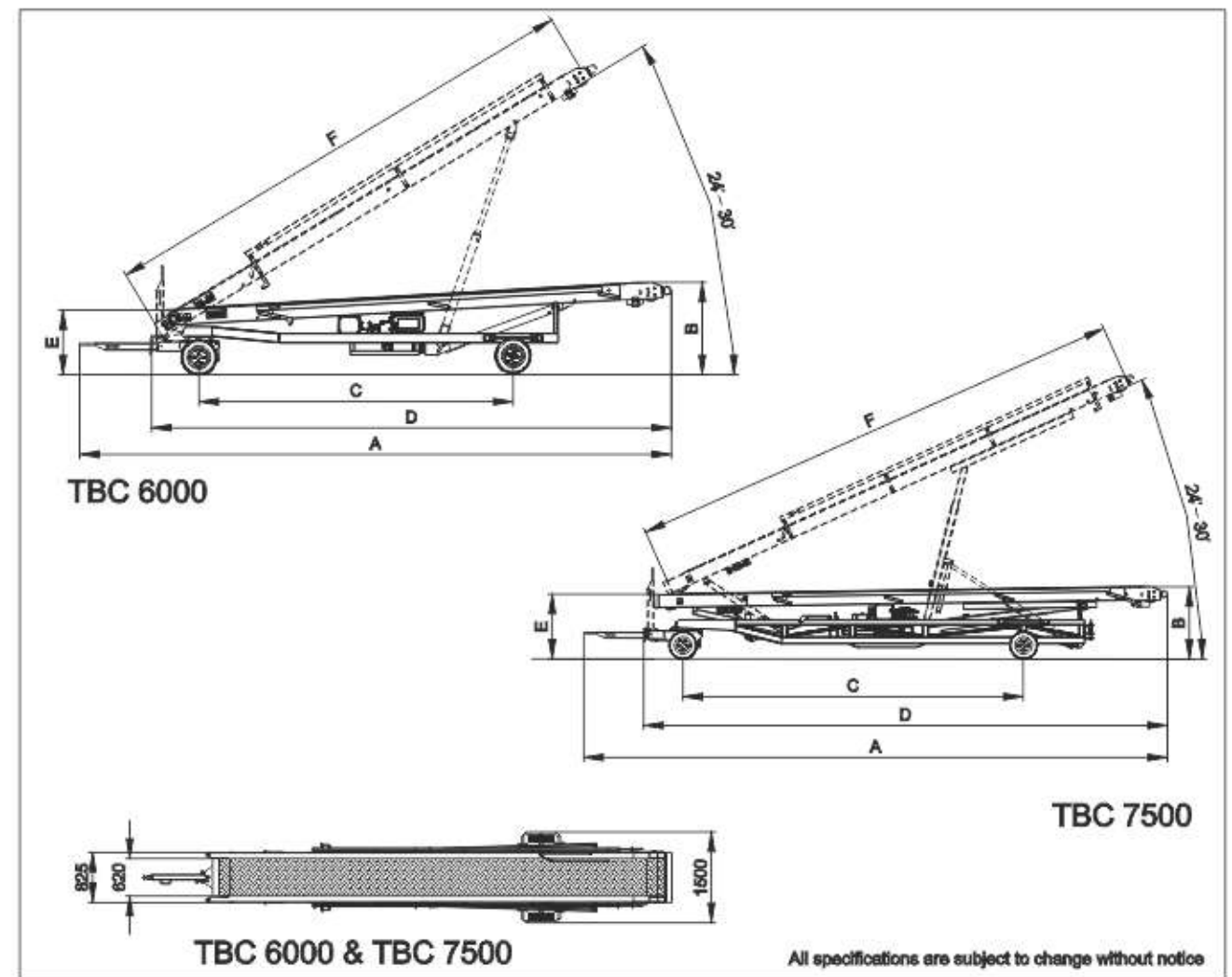
TBC 6000 / 7500 TOWABLE BELT CONVEYOR

CHASSIS	The chassis is produced by steel profiles. The tow-bar is provided by a fifth wheel system mounted to the chassis for easy steering and a brake system that is applied when tow-bar is upright and released position.
CONVEYOR	The conveyor boom provides adequate number of rollers to support the belt and safe conveyance of load. The belt forward/reverse movements are provided by hydraulic motor and the height and angle adjustment are provided by hydraulic cylinders. The conveyor boom provides foldable handrail.
HYDRAULIC SYSTEM	The hydraulic system is provided by an oil tank, a pump driven by an engine, cylinders, hydro-motor, hydraulic valves and some other useful accessories. Emergency hand pump is also used in case of engine failure.
SURFACES	The belt conveyor is custom painted.
ELECTRICAL SYSTEM	The electrical system is powered by a standard battery of 12 V DC. The electrical system is provided by headlamp and the all accessories are controlled from a control panel.
OPTIONS	9000 mm belt length, electrical emergency pump, diesel engine, hydro-static propelling system powered by hydraulic motor, forklift pockets, custom painting, logo application.



Eyüpsultan Mahallesi Kartopu Sk. No: 7 34885 Sancaktepe / Istanbul / TURKEY
TEL : +90 216 527 42 70 (5 Lines) FAX : +90 216 364 33 63
e-mail: timsan@timsantr.com http://www.timsan-gse.com

TIMSAN



All specifications are subject to change without notice

Technical Data

	TBC 6000	TBC 7500
Overall Length (A) (mm)	7400	8850
Overall Width (mm)	1500	1500
Overall Height (B) (mm)	1100	1200
Wheelbase (C) (mm)	3930	5100
Length at Towbar Vertical (D) (mm)	6500	7950
Servicing Height, Rear at 24° (mm)	810	1250
Servicing Height, Front at 24° (mm)	3180	4200
Servicing Height, Rear at 30° (mm)	740	770
Servicing Height, Front at 30° (mm)	3690	4200
Servicing Height, Rear at Tow. Pos. (E) (mm)	760	950
Belt Length (F) (mm)	6000	7500
Belt Width (mm)	600	600
Belt Speed (m/min.)	10 - 30	10 - 30
Single Load Capacity (kg)	400	400
Continuous Load Capacity (kg)	1000	1000
Dead Weight (kg) (approx.)	1300	1850
Tyres (Pneumatic)	4.00"x8	5.00"x8
Max. Speed (km/h)	15	15
Shipping Dimensions (l x w x h) (mm)	6600x1600x1450	8050x1600x1450
Shipping Conditions	1 ea x 20' or 2 ea x 40' box	2 ea x 40' box

TIMSAN

Eyüpsultan Mahallesi Kartopu Sk. No: 7 34885 Sancaktepe / Istanbul / TURKEY
TEL : +90 216 527 42 70 (5 Lines) FAX : +90 216 364 33 63
e-mail: timsan@timsantr.com http://www.timsan-gse.com