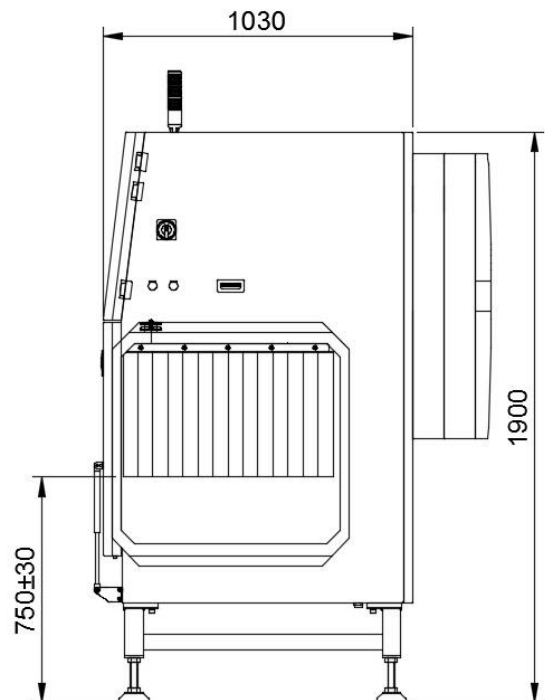
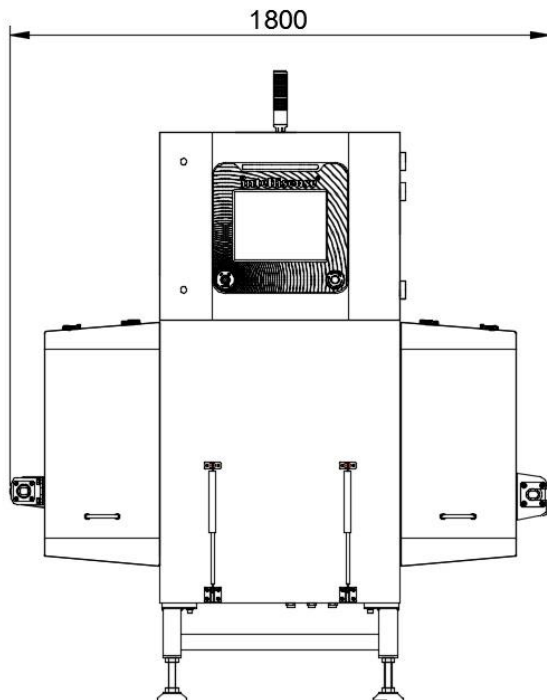
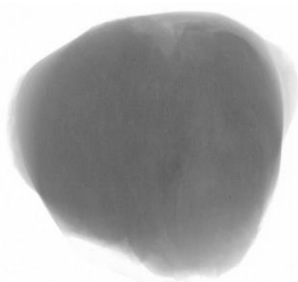
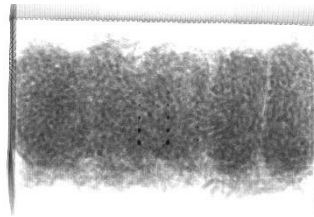
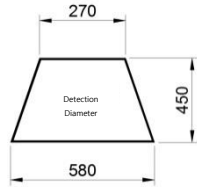


Box or Large Bag *QUALITY MANAGEMENT SOLUTIONS*

Intellisense XIS-4000

Non-destructive Testing (NDT) Systems for process industry



TECHNICAL SPECIFICATIONS X-Ray Inspection Systems	
Model	Intellisense XIS-4000
General Specification	
Tunnel Size	580 mm(W) x 450 mm(H)
C/V Height	Apply Customer Request Height
C/V Speed	10m/min ~ 40m/min ¹⁾
User Interface	LCD Touch Monitor (Graphic Use)
Main Frame	
Main Body	Stainless Steel
Cooling Type	
Air Conditioner	Panel Type
X-Ray Generator	
X-Ray Leakage	Less than legal limit
X-Ray Output	150 kV / 7.5mA (Max 450W)
Cooling System	Oil Type
Detector	
Detector Type	Line Scan
Pixel Size	0.4 mm × 0.4 mm
Detector Size	614 mm
Data Analysis	
Display	17" LCD Touch Monitor
Image Record	Saving NG Image within expiration date
Report	Automated daily report generation and Excel extraction
Data Backup	External USB Port (2EA)
Main Program	
Operating System	Windows Embedded / SSD & HDD / Intel 6th i5-6500 (3.2GHz)
Software	Intellisense Program
Image Analysis	Optimized algorithm for best performance
Operation	
Main Power	220 VAC, 60Hz
Capacity	Approx. 2.5 kW
Operation Environment	Temp : 5~35 °C / Humidity : 30~85% RH (Non-Condensation)
Weight	580 kg
Size((L×W×H):	1,800 mm(L) × 1,030 mm(W) × 1,900 mm(H)

¹⁾ This specification is subject to change without prior notice